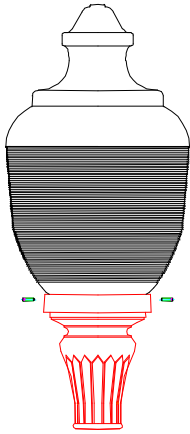


INSTALLATION INSTRUCTIONS

Installation of LBR5 (Low Brightness Reflector) onto Refractive Series Globes.

Product Series: LBR5



IMPORTANT SAFETY INSTRUCTIONS

(For your protection and to avoid INJURY read carefully.)

- Trained and certified installers should perform installation.
- Use of proper lifting equipment and safety harness is a must.
- Safety measures such as use of safety glasses and steel toe shoes should be followed.
- DO NOT install in adverse weather conditions such as rain or heavy winds.

WARNING: NEVER attempt any maintenance of the Luminaire or disconnect any component while power supply is engaged. Make sure power supply is off before servicing Luminaire.

Prior to Installation

Read carefully before installing the screws. If you do not understand these instructions, please contact your local ASL agent before installing.

Installation

1. Remove the 4 set screws that attach the refractive globe to the base. See figure #1.
2. Set the 4 set screws aside as we will reinstall them in step #8.
3. Lift refractive globe up and off of base. See Figure #1.
4. Set refractive globe aside as we will reinstall it in step #7.
5. Place the LBR5 over the ballast pod boss. See figure #2.
6. Tighten thumbscrew on the LBR5 until the LBR5 is tightened securely on the ballast boss. See figure #2.
7. Lift refractive globe back onto the base, opposite of how it was removed in step #3.
8. Replace and tighten the 4 set screws that hold the refractive globe onto the base. See figure #1.

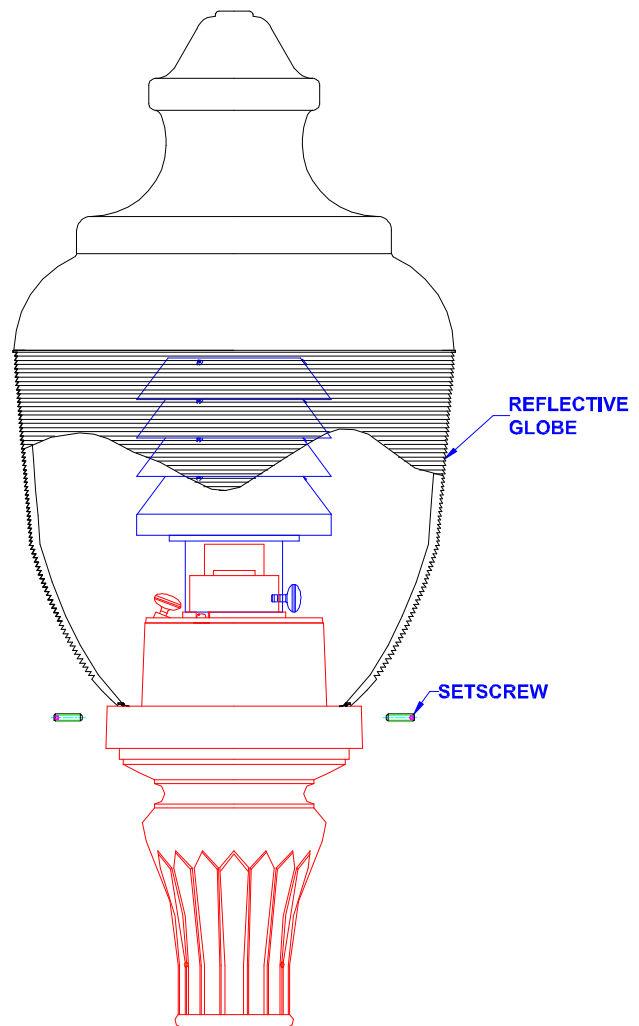


Figure #1

INSTALLATION INSTRUCTIONS

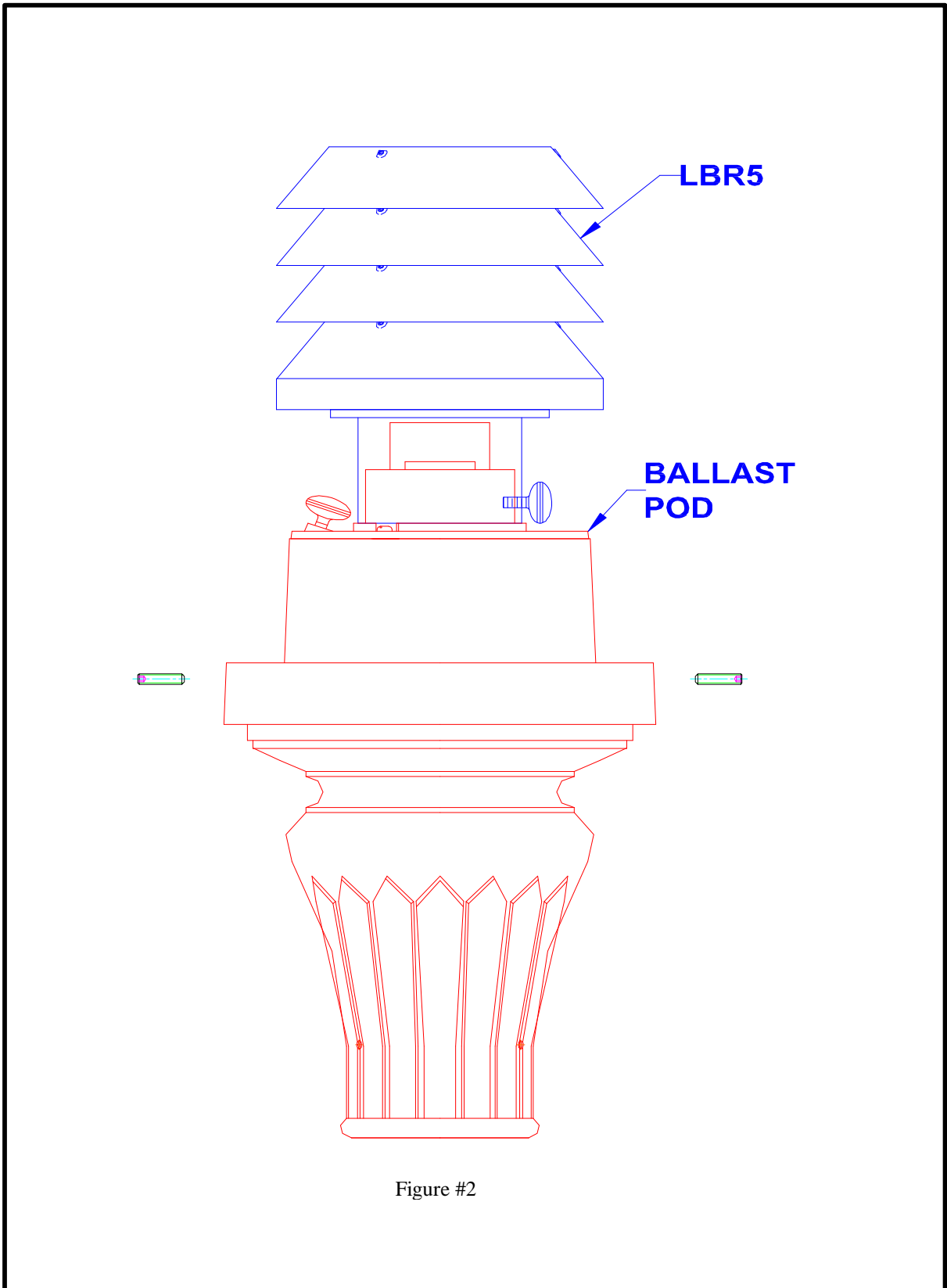


Figure #2