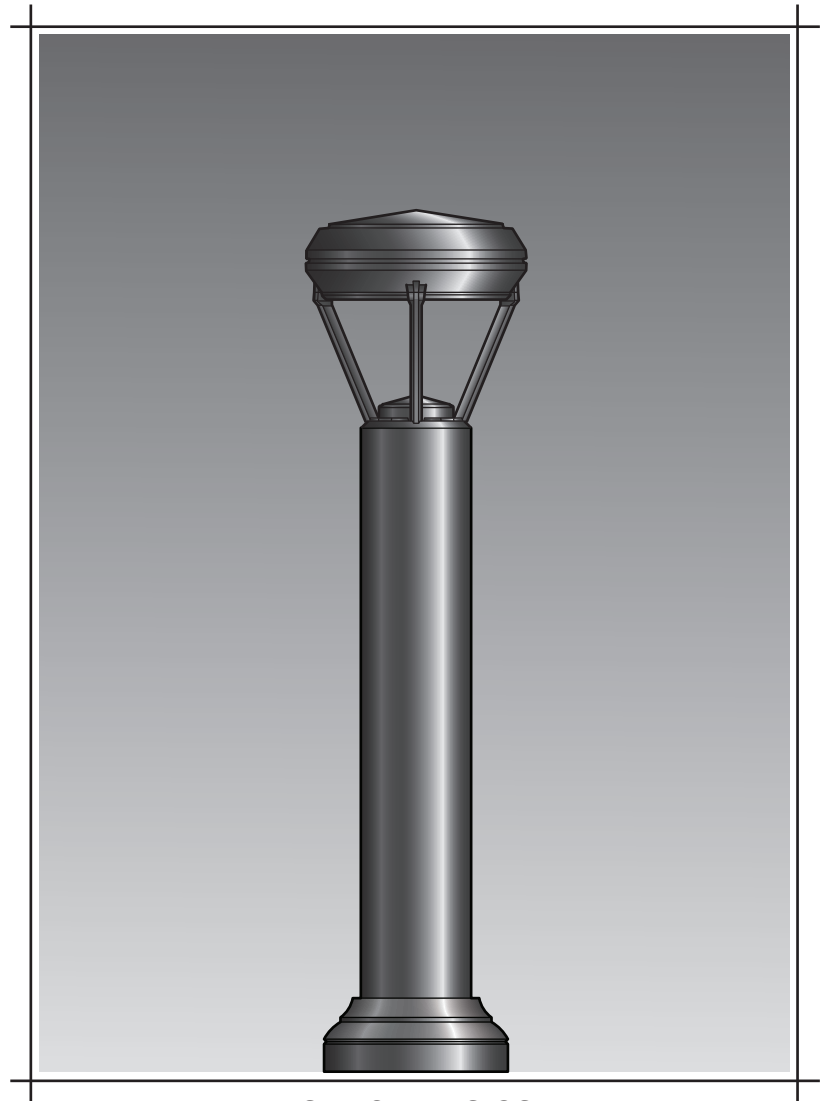
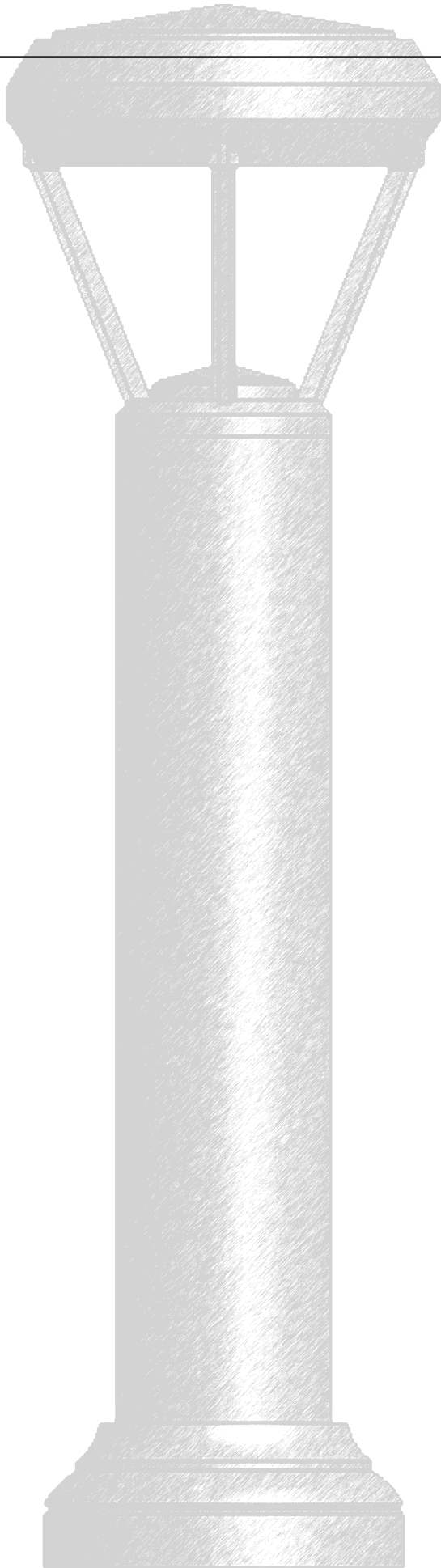


OSLO SERIES
Lighted Bollard - Full Cutoff Optics



BLCA BOL10LC GCF



EUROTIQUE®
Architectural Lighting

CONSTRUCTION

The bollard is high quality cast aluminum and aluminum, one-piece construction. The roof is hinged. Roof and ballast lid are sealed with gaskets. The lens is tempered flat glass with a continuous seal. All exposed welds are ground smooth. All welding is per AWS D1.2/D1.2M:2003 and all welders are certified. All exposed hardware is stainless steel.

INSTALLATION

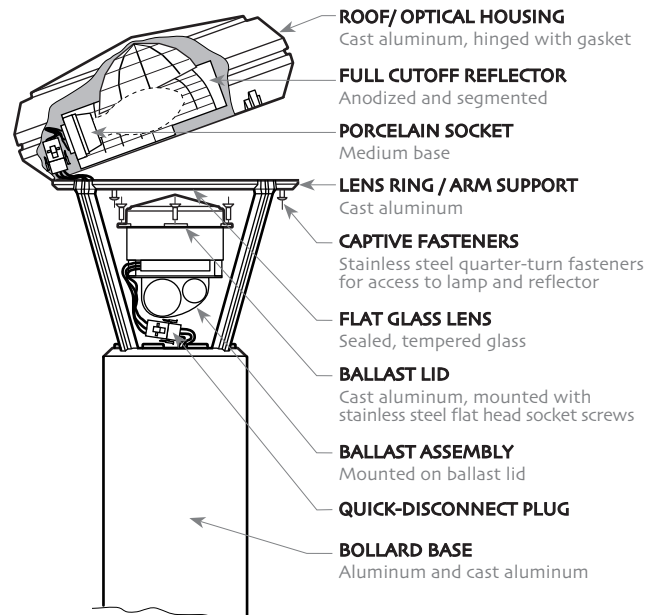
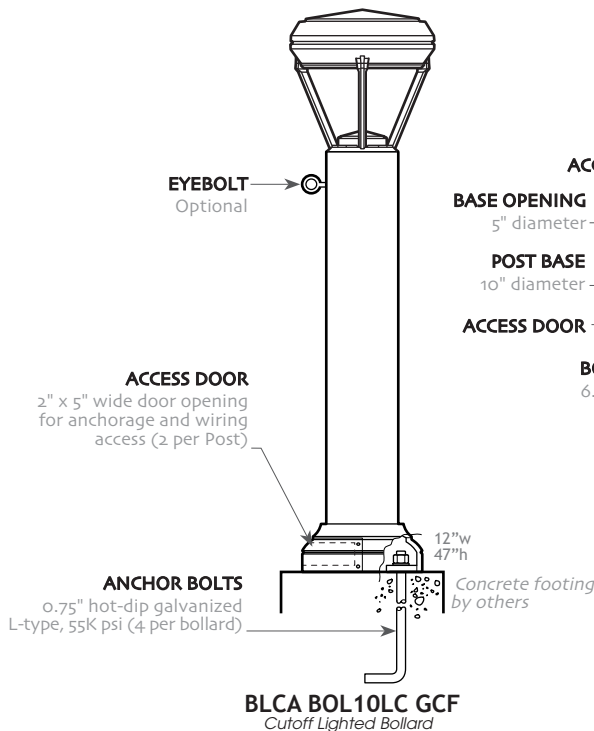
The bollard is provided with four, 0.75" diameter hot-dip galvanized L-type anchor bolts, 55K psi, to be installed on a 6.5" diameter bolt circle. Two doors are provided in the base for anchorage and wiring access. A grounding screw is provided inside the base accessible from the doors. The hinged roof/reflector housing is furnished with quarter-turn screws for access to the lamp and reflector. Both the reflector and ballast assembly are furnished with quick-disconnect plugs. The ballast assembly mounts on a removable ballast lid.

OPTICS

The bollard utilizes an internal anodized and segmented reflector with socket for horizontal lamp. Reflectors are available in four full cutoff distributions and are interchangeable. Luminaire is furnished with an H.I.D. ballast assembly or LED lighting assembly. The bollard is UL and C-UL listed, labeled as suitable for wet locations and has an IP65 rating. Sockets are porcelain, medium base with a copper alloy screw shell and brass center contact. H.I.D. ballasts are core and coil, high power factor, regulating type. LED light has a symmetric distribution with a 120v input electronic ballast (driver).

FINISH

The bollard has a powder coat finish utilizing a premium TGIC polyester powder. The finish is a three-stage process that consists of drying, powder application and curing. Before coating, the parts are treated with a five-stage pretreatment process, consisting of a heated alkaline cleaner, rinse, phosphate coating, rinse and sealant.



Consistent with LEED® goals & Green Globes™ criteria for light pollution reduction

Note: Lamp is not furnished with the bollard except for LED.

ORDERING GUIDE

Sample Catalog no: **BLCA BOL10LC 100M MED GCF R5 TB1 EBB ANBK**

Series	Wattage/Lamp	Lens Material	Distribution	Voltage ³	Options	Finish ⁴
BLCA BOL10LC	Metal Halide 50M MED 70M MED 100M MED	GCF Glass, Clear Flat	R2 Type II R3 Type III R4 Type IV R5 Type V	TB1 120 volt TB2 208 volt TB3 240 volt TB4 277 volt 347 347 volt 480 480 volt	SF Single Fusing DF Double Fusing EBB One Eyebolt 2EBB Two Eyebolts	ANBK Black ANDB Dark Bronze ANDG Dark Green ANPP Prime Painted CM Custom Match CS Custom Select RAL colors
	High Pressure Sodium 50S MED 70S MED 100S MED		blank ² (for LED only)	120 (for LED or 39T6 only) 277 (for 39T6 only)		
	Metal Halide for T6 lamps 39T6 G12 ¹ 39 watts 70T6 G12 70 watts 150T6 G12 150 watts					
	LED light LED1 ²					

NOTES:

- 39T6 G12 available with voltage 120 or 277.
- LED only available with symmetric (blank) distribution and 120 v.
- Multi-tap Ballast (120, 208, 240, 277v), (120, 277, 347v in Canada).
- For wattages under 70S or 70M contact ASL for voltage availability.
- For finish and color options, see Finish section in catalog or contact ASL.

2011-B W. Rundberg Lane • Austin, TX 78758
ph. (800)410-8899 • fax (512)977-9622
www.antiquestreetlamps.com
Acuity Brands Lighting, Inc.